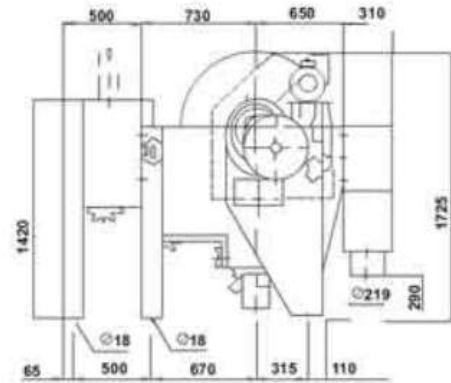
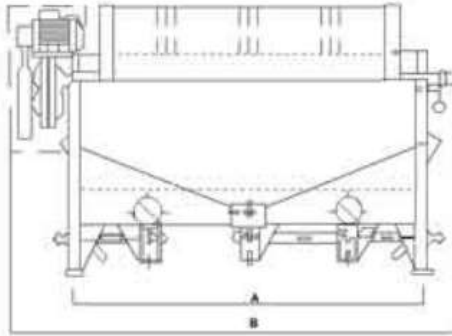
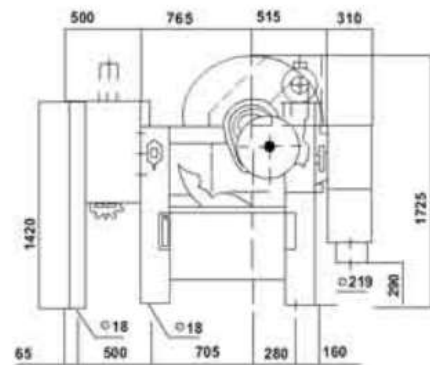
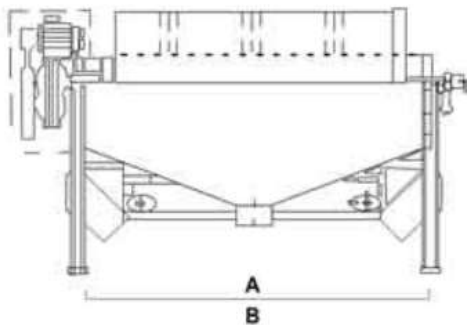


SPECIFICATIONS OF WET DRUM TYPE MAGNETIC SEPARATOR

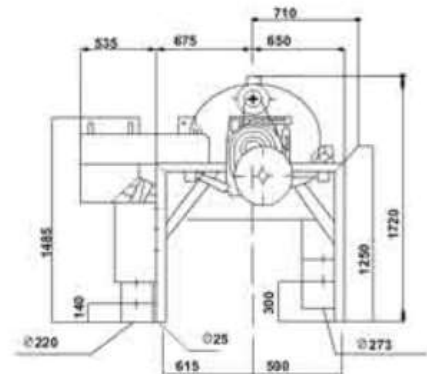
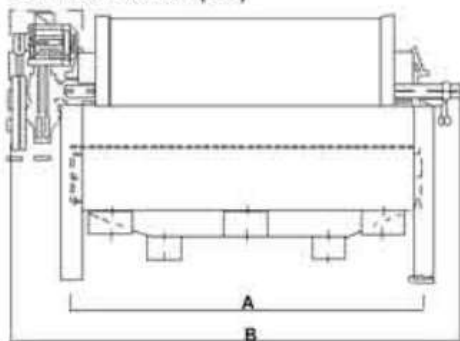
Concurrent (CC)



Countercurrent (CTC)

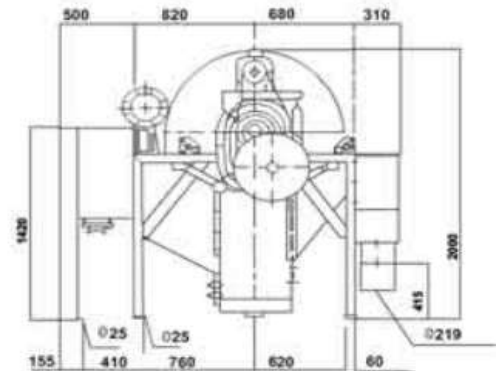
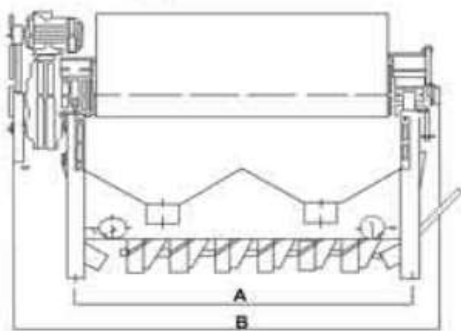


Counterrotation (CR)

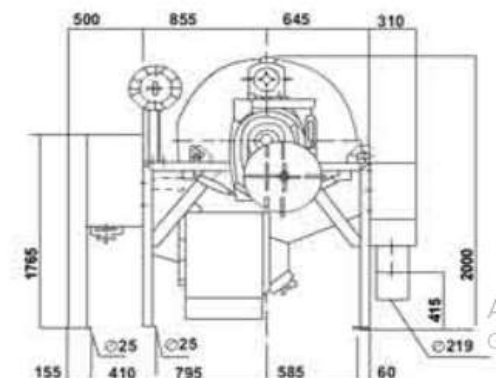
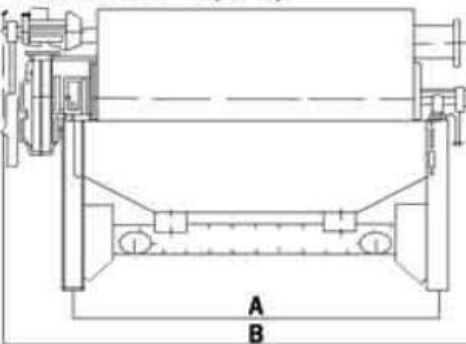


Model	Separator Size drum diameter x working length mm	Motor Size kw	Approx. weight per unit excl. boxes kg	Approx. weight of feed and discharge boxes kg	Types concurrent, counter current and counter rotation		Number of tailings outlets, concurrent type
					A mm	B mm	
BUI 903	Dia 916 x 300	1.5	900	130 + 35	770	1435	1
BUI 906	Dia 916 x 600	2.2	1200	140 + 50	1070	1735	1
BUI 909	Dia 916 x 900	2.2	1500	155 + 65	1370	2035	2
BUI 912	Dia 916 x 1200	2.2	1800	170 + 80	1670	2335	2
BUI 915	Dia 916 x 1500	2.2	2100	185 + 95	1970	2635	3
BUI 918	Dia 916 x 1800	4	2400	200 + 110	2270	2935	3
BUI 924	Dia 916 x 2400	5.5	3200	260 + 160	2870	3535	4
BUI 930	Dia 916 x 3000	7.5	3800	290 + 190	3470	4135	5

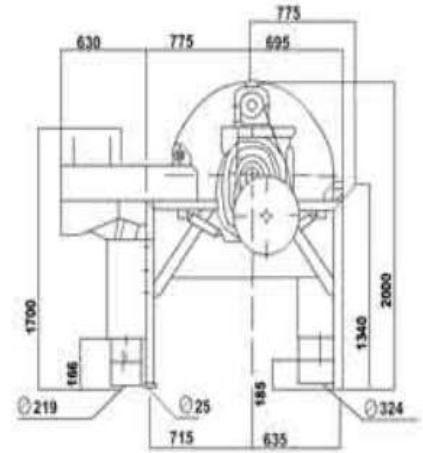
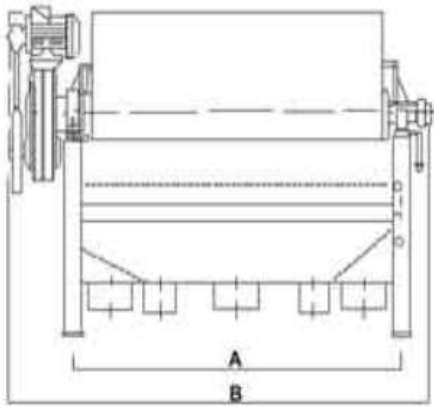
Concurrent (CC)



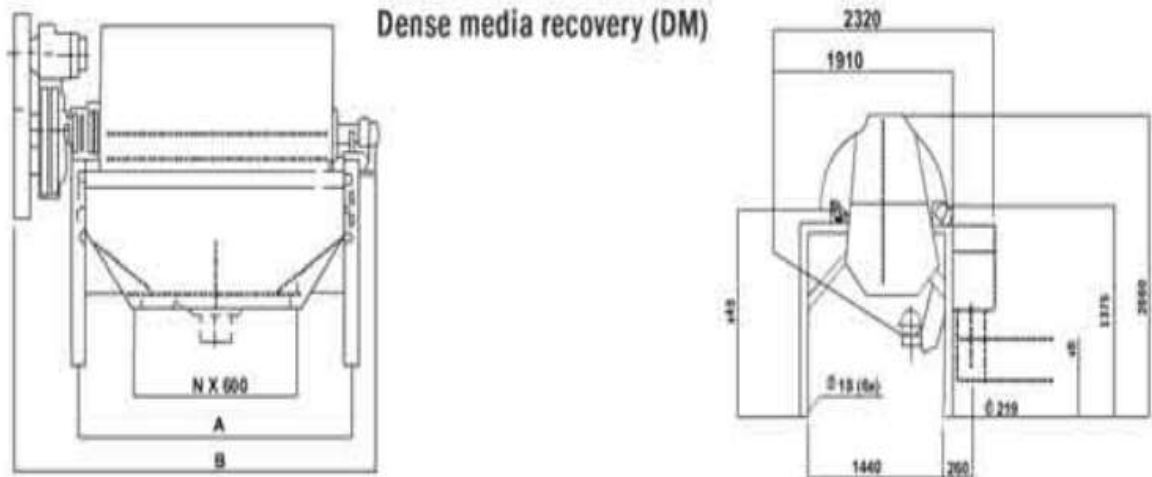
Countercurrent (CTC)



Counterrotation (CR)



Model	Separator Size drum diameter x working length mm	Motor Size kw	Approx. weight per unit excl. boxes kg	Approx. weight of feed and discharge boxes kg	Types concurrent, counter current and counter rotation		Number of tailings outlets, concurrent type
					A mm	B mm	
BUI 1206	Dia 1200 x 600	4	1700	140 + 50	1140	1810	2
BUI 1209	Dia 1200 x 900	4	2100	155 + 65	1440	2110	3
BUI 1212	Dia 1200 x 1200	5.5	2500	170 + 80	1740	2410	4
BUI 1215	Dia 1200 x 1500	5.5	2900	185 + 95	2040	2710	5
BUI 1218	Dia 1200 x 1800	7.5	3300	200 + 110	2340	3010	6
BUI 1224	Dia 1200 x 2400	7.5	4300	260 + 160	2940	3610	8
BUI 1230	Dia 1200 x 3000	7.5	5100	290 + 190	3540	4210	10



Model	Motor Size kw	Approx. weight kg	Working length kg	A mm	B mm
BUI 1206	1.5	1550	600	1140	1810
BUI 1209	1.5	1950	900	1440	2110
BUI 1212	2.2	2350	1200	1740	2410
BUI 1215	2.2	2750	1500	2040	2710
BUI 1218	3.0	3150	1800	2340	3010
BUI 1224	3.0	3950	2400	2940	3610
BUI 1230	3.0	4550	3000	3540	4210



Brindavan Udyog (India)

12-15, First Floor, Sabzi Market
Chowk Hauz Qazi, Delhi - 110006, India
+91-9555849888 | +91-9810431386

